



MP-10PG Planetary Gear Motor



10PG-P17 (planetary gearbox)

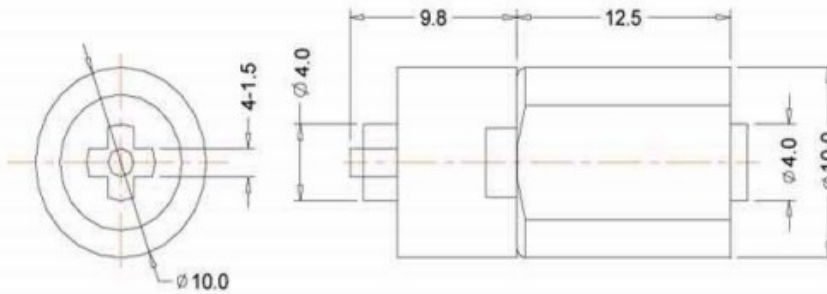
OUTPUT: 0.05W-0.5W (APPROX)

WEIGHT: 3.6g

Typical applications: Consumer Electronic Products Toys and Models
 Personal Care Product
 Office Automation Equipments

Model	Gear ratio	Voltage (V)	No Load		Max Efficiency (%)			Max Ouput (W)			Stall	
			Speed (rpm)	Current (A)	Speed (rpm)	Current (A)	Torque (kgf.cm)	Speed (rpm)	Current (A)	Torque (kgf.cm)	Torque (kgf.cm)	Current (A)
10PG-171012FE-10	171	4.5	115	0.08	84	0.12	0.10	58	0.15	0.18	0.36	0.27
10PG-171012FE-10	171	6.0	153	0.11	112	0.16	0.13	77	0.20	0.24	0.48	0.38

For Reference Only



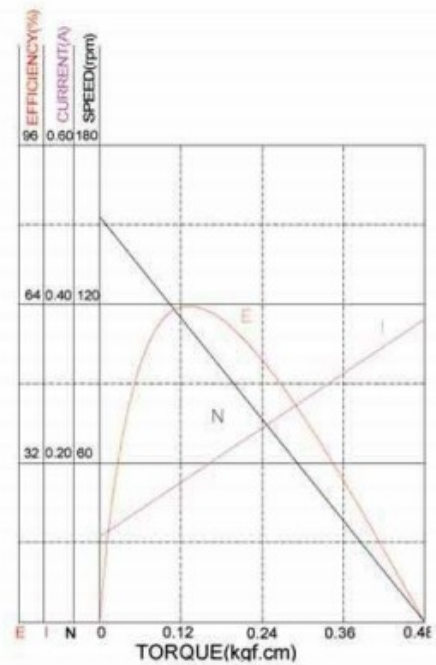
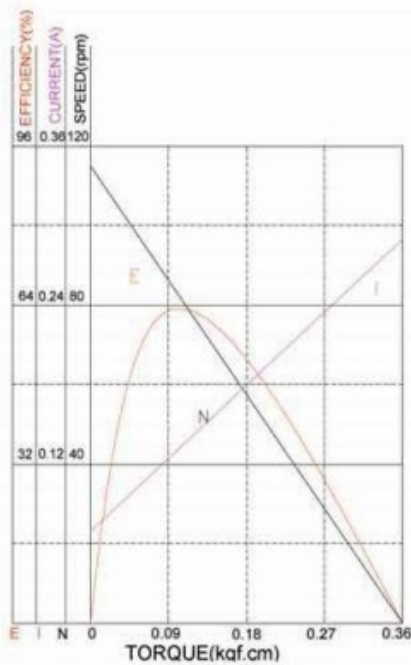
Unit:mm

10PG-171012FE-10D-4.5

4.5V

10PG-171012FE-10D-6.0

6.0V





MP-12PG Planetary Gear motor

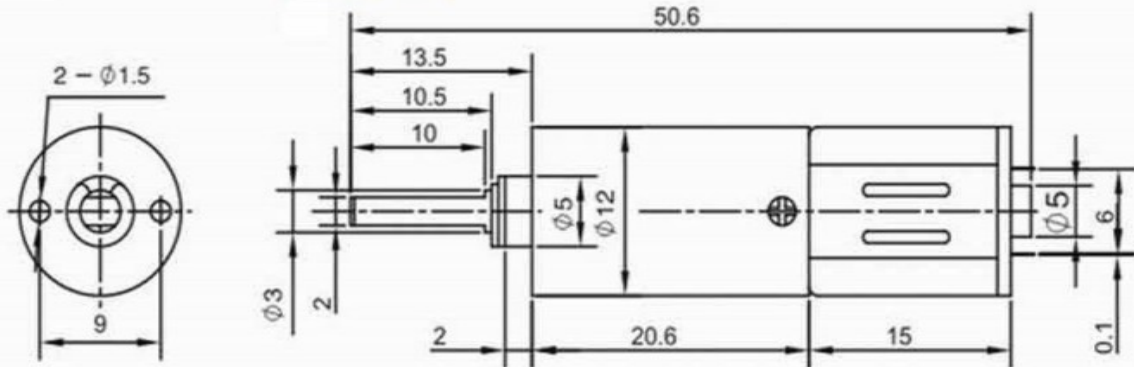
MAX
MAX-MOTOR

Main voltage: 3v 4.5v 6v,

Typical applications Beauty care product, Face cleaner, Eyelash brush etc.

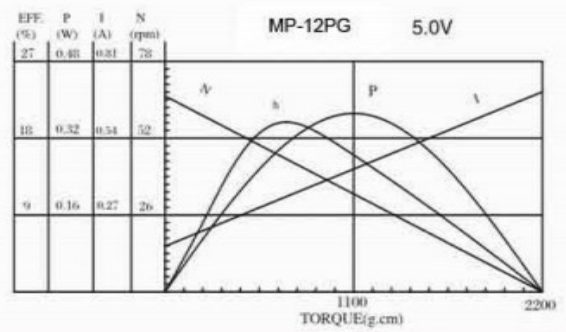
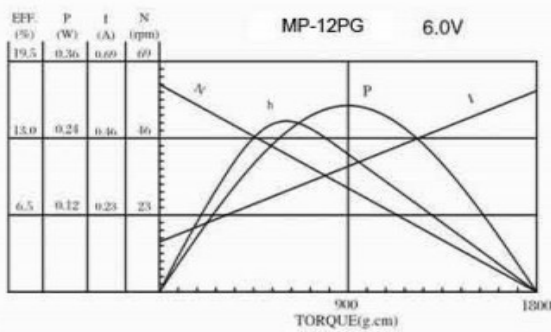
Weight: 12G

Packing details:



Motor data:

MODEL	VOLTAGE RATED	NO LOAD		AT RATED LOAD					STALL		
		SPEED	CURRENT	SPEED	CURRENT	TORQUE		OUTPUT	TORQUE		CURRENT
		V	rpm	A	rpm	A	g.cm	mN.m	W	g.cm	mN.m
MP-12PG	6	62	0.15	47	0.26	500	49	0.24	1800	176.4	0.6
	5	66	0.16	53	0.27	440	43.1	0.24	2200	215.7	0.7





MP-22PG Planetary Gear motor MAX – MOTOR

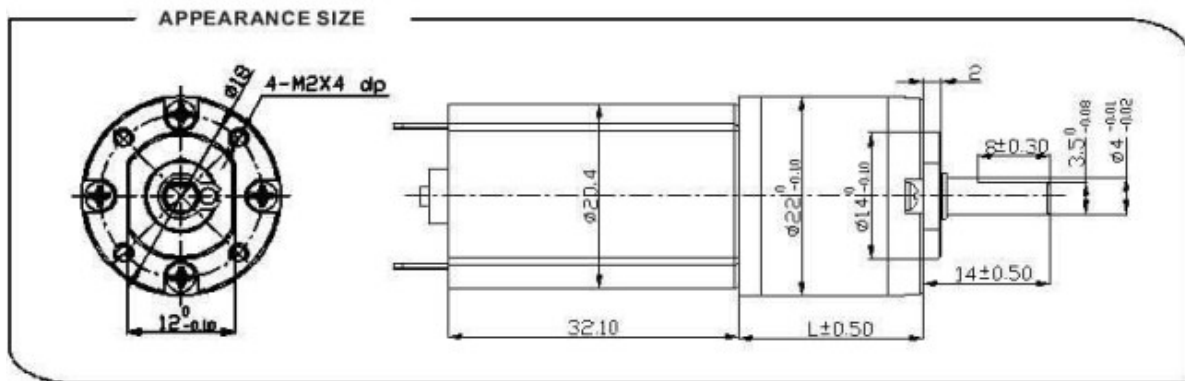


Main voltage: 3VDC, 6VDC, 9VDC, 12VDC, 24VDC.

Typical applications: Optical equipment, Monitoring cameras, Kind of fiber-electronic locks, Automatic energy saving bath, Water IC card, Toys and gifts, Office equipment, Household appliances, Automatic actuator.

Weight: 100~120g/pcs (approx)

Packing details: CTN size: 37X27.5XH21cm 200pcs/CTN G.W. 22Kgs



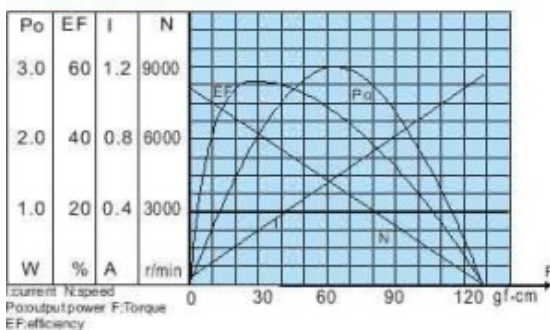
Gear Motor Torque/Speed

Reduction ratio	1/4	1/4.75	1/16	1/19	1/22.5	1/64	1/76	1/90	1/107	1/256	1/304	1/361	1/428	1/509	1/1024	1/1216	1/1444	1/1714	1/2036	1/2418
12V	Rated torque (gf.cm)	79	94	285	339	401	1028	1221	1445	1719	3360	4000	4000	4000	4000	4000	4000	4000	4000	4000
	Rated speed (r/min)	1675	1411	419	353	298	105	88	75	63	26	22	19	16	13	7	6	5	4	3
24V	Rated torque (gf.cm)	79	94	285	339	401	1028	1221	1445	1719	3361	4000	4000	4000	4000	4000	4000	4000	4000	4000
	Rated speed (r/min)	1850	1558	463	390	329	116	97	82	69	29	24	21	17	15	7	6	5	4	4
Gearbox "L" mm	16.9		16.9		20.5		24.1		27.6											

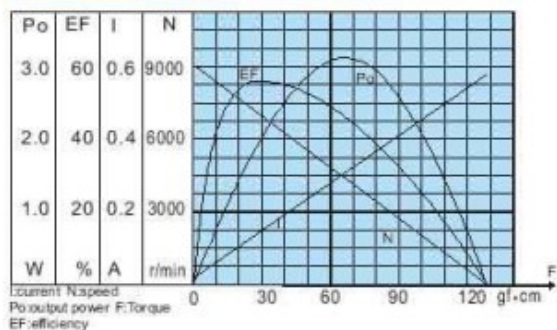
Motor Data

额定电压 Rated volt(V)	额定出力 Rated torque (g-cm)	额定转速 Rated speed (rpm)	额定电流 Rated current (mA)	空载转速 No load speed (rpm)	空载电流 No load current (mA)	额定功率 Rated output (w)	重量 Weight (g)
12	22	6700	≈200	8000	≈70	1.5	33
24	22	7400	≈110	9000	≈40	1.7	33

RF-180-12V-8000r/min Characteristics



RF-180-24V-9000r/min Characteristics



MP-28PG Planetary Gear motor



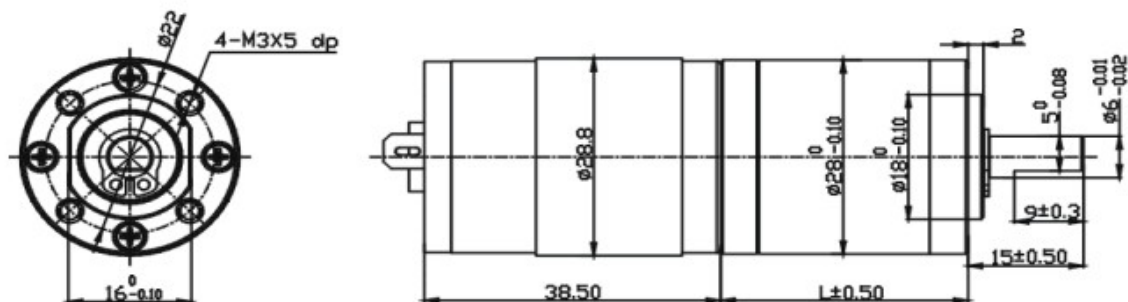
Main voltage: 3VDC, 6VDC, 9VDC, 12VDC, 24VDC.

Typical applications: Peristaltic pump, Micro CNC equipment, ATM bank automatic system, Card conveyors, Auto shutter, Binding machine, Mimeograph, Office equipment, Household appliances, Automatic actuator.

Weight: 180~220g/pcs(approx)

Packing details: CTN size: 36.5X31XH17cm 60pcs/CTN G.W.12Kgs

APPEARANCE SIZE



Gearbox data:

Number of stages	1 stages reduction	2 stages reduction	3 stages reduction	4stages reduction	5stages reduction
Reduction ratio	3.35, 4.63	11.22, 15.51, 21.44	37.60, 51.96, 71.81, 99.25	125.94, 174.07, 240.58, 332.50, 459.54	421.91, 583.12, 805.93, 1113.87, 1539.46, 2127.67
Gearbox length "L" mm	20.2	25.9	31.7	37.5	43.3
Max. Running torque	2.0Kgf • cm	3.0Kgf • cm	4.0Kgf • cm	6.0Kgf • cm	10Kgf • cm
Max. Gear breaking torque	6.0Kgf • cm	9.0Kgf • cm	12Kgf • cm	18Kgf • cm	30Kgf • cm
Max. Gearing efficiency	90%	81%	73%	65%	59%

Motor data:

Motor name	Rated Volt. V	No load		Load torque				Stall torque	
		Current	Speed	Current	Speed	Torque	Output power	Torque	Current
		mA	r/min	mA	r/min	gf • cm	W	gf • cm	mA
RS-385123000	12	≤45	3000	≤150	2200	35	0.8	140	450
RS-385124500	12	≤70	4500	≤300	3300	55	1.8	220	1200
RS-385126000	12	≤100	6000	≤600	4500	80	3.6	320	1900
RS-385243000	24	≤25	3000	≤70	2200	35	0.8	140	230
RS-385244500	24	≤40	4500	≤150	3300	55	1.8	220	600
RS-385246000	24	≤50	6000	≤300	4500	80	3.6	320	1000

1. This table lists some motors parameters, others please refer to specific parameters of Page 143.

2. After connecting motor and gearbox which is named gearmotor the output torque: motor torque X reduction ratio X gearing efficiency; output speed: motor speed / reduction ratio.

NOTE:

1. Gearmotor named methods: e.g. MP-28PG385123000-90k Motor please refer to the motor data RS-385123000. Gearbox please refer to gearbox data reduction ratio 90. Related to gearmotor output speed and torque please refer to motor data.
2. Motor can be installed with magnetic encoder, encoder parameters please refer to Page 139.
3. Standard output shaft after reducing: $\phi 6.0$ mm, other sizes of the output shaft can make as client request.
4. Chart only for reference, products shall prevail the entity.

MP-32PG Planetary Gear motor MAX – MOTOR

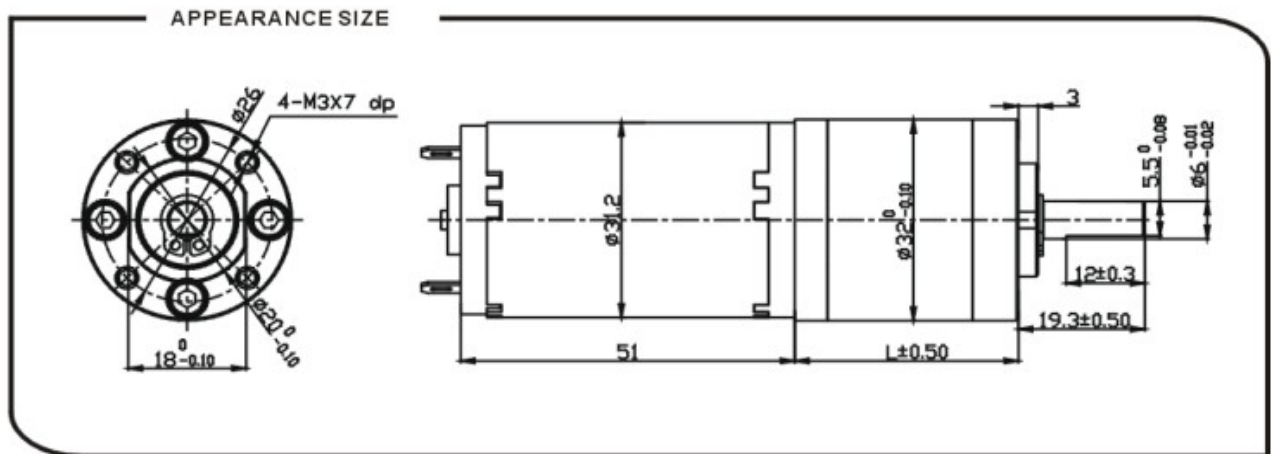


Main voltage: 3VDC, 6VDC, 9VDC, 12VDC, 24VDC.

Typical applications: Auto shutter, Micro CNC equipment, Central air-conditioning valve, Robots, Towel dispensers, Limelight, Automatic closet bowl special valve, Electric advertising, Angular telescope, Office equipment, Household appliances, Automatic actuator.

Weight: 180-230g/pcs (approx)

Packing details: CTN size: 36.5X31XH17cm 60pcs/CTN G.W.13Kgs



Gearbox data:

Number of stages	1 stages reduction	2 stages reduction	3 stages reduction	4stages reduction	5stages reduction
Reduction ratio	3.35, 4.63	11.22, 15.51, 21.44	37.60, 51.96, 71.81, 99.25	125.94, 174.07, 240.58, 332.50, 459.54	421.91, 583.12, 805.93, 1113.87, 1539.46, 2127.67
Gearbox length "L" mm	20.7	26.4	32.2	38	43.8
Max. Running torque	2.0Kgf · cm	3.0Kgf · cm	4.0Kgf · cm	6.0Kgf · cm	10Kgf · cm
Max. Gear breaking torque	6.0Kgf · cm	9.0Kgf · cm	12Kgf · cm	18Kgf · cm	30Kgf · cm
Max. Gearing efficiency	90%	81%	73%	65%	59%

Motor data:

Motor name	Rated Volt. V	No load		Load torque				Stall torque	
		Current	Speed	Current	Speed	Torque	Output power	Torque	Current
		mA	r/min	mA	r/min	gf · cm	W	gf · cm	mA
31ZY123000	12	≤100	3000	≤400	2200	90	2.0	360	1600
31ZY124500	12	≤150	4500	≤700	3300	130	4.3	520	2700
31ZY126000	12	≤220	6000	≤1200	4500	180	8.0	720	5000
31ZY243000	24	≤60	3000	≤200	2200	90	2.0	360	800
31ZY244500	24	≤90	4500	≤350	3300	130	4.3	520	1300
31ZY246000	24	≤130	6000	≤650	4500	180	8.0	720	2600

1. This table lists some motors' parameters, others please refer to specific parameters of Page150.

2. After connecting motor and gearbox which is named gearmotor the output torque: motor torque X reduction ratio X gearing efficiency; output speed: motor speed / reduction ratio.

MP-36PG Planetary Gear motor



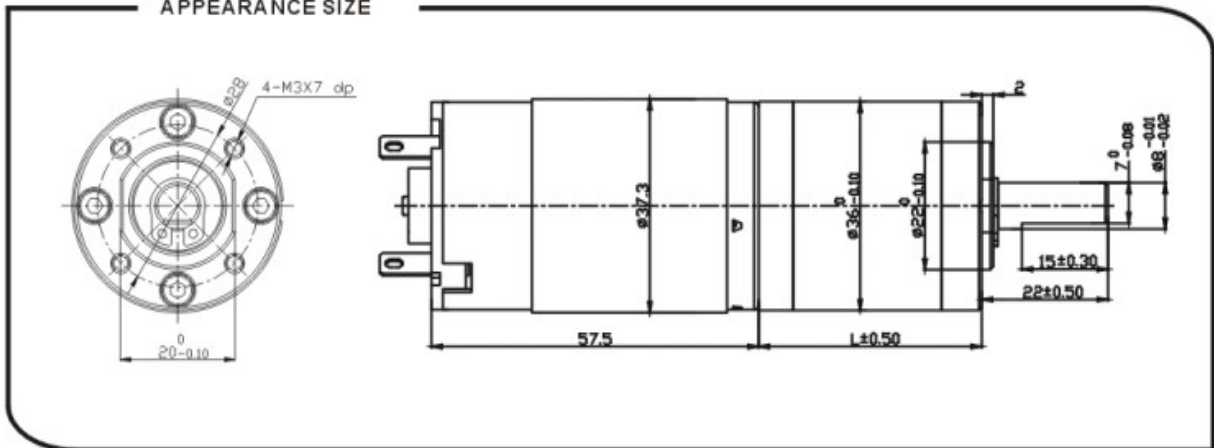
Main voltage: 3VDC, 6VDC, 9VDC, 12VDC, 24VDC.

Typical applications: Auto shutter, Pan/Tilt camera, Slot machine, Money detector, Coin refund devices, Currency count machine, Towel dispensers, Automatic doors, Peritoneal machine, Automatic TV rack, Office equipment, Household appliances, Automatic

Weight: 320-400g/pcs(approx)

Packing details: CTN size: 32X28XH26cm 40pcs/CTN G.W.16Kgs

APPEARANCE SIZE



Gearbox data:

Number of stages	1 stages reduction	2 stages reduction	3 stages reduction	4 stages reduction	5 stages reduction
Reduction ratio	3.7, 5.2	13.7, 19.2, 26.9	50.9, 71.2, 99.5, 139.	188, 264, 369, 516, 721,	699, 977, 1367, 1911, 2672, 3736,
Gearbox length "L" mm	26.4	32.6	38.9	45.3	52.5
Max. Running torque	3.0Kgf • cm	6Kgf • cm	8Kgf • cm	12Kgf • cm	20Kgf • cm
Max. Gear breaking torque	9.0Kgf • cm	18Kgf • cm	24Kgf • cm	36Kgf • cm	60Kgf • cm
Max. Gearing efficiency	90%	81%	73%	65%	59%

Motor data:

Motor name	Rated Volt. V	No load		Load torque				Stall torque	
		Current	Speed	Current	Speed	Torque	Output power	Torque	Current
		mA	r/min	mA	r/min	gf • cm	W	gf • cm	mA
RS-555123000	12	≤140	3000	≤800	2200	150	3.3	600	3000
RS-555124500	12	≤220	4500	≤1200	3300	220	7.2	880	4800
RS-555126000	12	≤350	6000	≤2000	4500	300	13.5	1200	6000
RS-555243000	24	≤70	3000	≤400	2200	150	3.3	600	1600
RS-555244500	24	≤110	4500	≤600	3300	220	7.2	880	3000
RS-555246000	24	≤180	6000	≤1000	4500	300	13.5	1200	4000

1. This table lists some motors parameters, others please refer to specific parameters of Page 148.
2. After connecting motor and gearbox which is named gearmotor the output torque: motor torque X reduction ratio X gearing efficiency; output speed: motor speed / reduction ratio.

NOTE:

1. Gearmotor named methods: e.g. **MP-36PG555123000-90k** Motor please refer to the motor data RS-555123000, Gearbox please refer to gearbox data reduction ratio 99.5. Related to gearmotor output speed and torque please refer to motor data.
2. Motor can be installed with magnetic encoder, encoder parameters please refer to Page 141.
3. Standard output shaft after reducing: $\Phi 8.0$ mm, other sizes of the output shaft can make as client request.
4. Chart only for reference, products shall prevail the entity.