

本品专利:
行程开关定位护套 (专利号: 200820084317.8)

LINIX® Since 1968



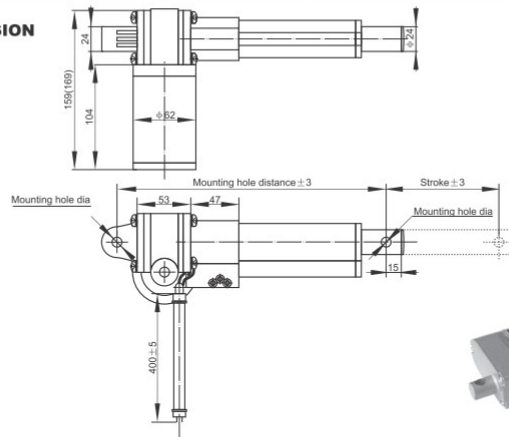
DTG

电动推杆
Linear actuator

● 电机参数 SPECIFICATIONS

Type 型号	Voltage 额定电压	No load speed 空载转速	Stroke 行程L	Min. mounting hole distance 最短安装孔距	Mounting hole dia 安装孔径	Max thrust 最大负载推力	Mode of lead wire 出线方式
	VDC	mm/s	mm	mm	mm	N	
DTG12-100	12	8 ± 10%	100 ± 3	240 ± 3	φ 10.2	6000	两线 Two wire
DTG12-200	12	8 ± 10%	200 ± 3	340 ± 3	φ 10.2	6000	两线 Two wire
DTG12-300	12	8 ± 10%	300 ± 3	440 ± 3	φ 10.2	6000	两线 Two wire
DTG24-100-C	24	6 ± 10%	100 ± 3	240 ± 3	φ 8.3	4000	八线 Eight wire
DTG24-100-D	24	6 ± 10%	100 ± 3	240 ± 3	φ 10.2	4000	两线 Two wire
DTG24-135-A	24	6 ± 10%	135 ± 3	282 ± 3	φ 8.3	4000	八线 Eight wire
DTG110-95	110	6 ± 10%	95 ± 3	270 ± 3	φ 10.2	4000	五线 Five wire
DTG110-111	110	6 ± 10%	111 ± 3	324 ± 3	φ 10.2	4000	五线 Five wire
DTG110-120	110	6 ± 10%	120 ± 3	265 ± 3	φ 8.3	4000	六线 Six wire
DTG110-128	110	6 ± 10%	128 ± 3	282 ± 3	φ 10.2	4000	五线 Five wire

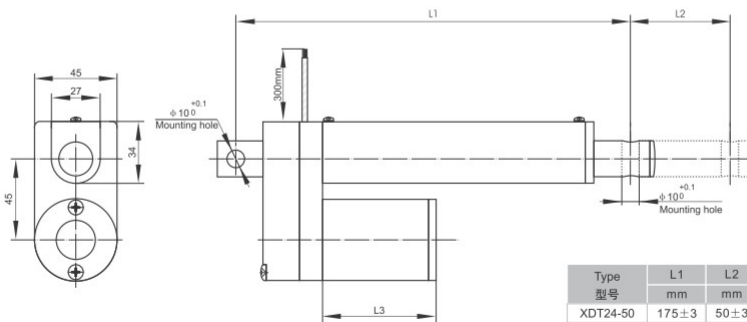
● 外形尺寸 EXTERNAL DIMENSION



● 电机参数 SPECIFICATIONS

Type 型号	Voltage 额定电压	No load speed 空载转速	Stroke 行程	Mounting hole distance 安装孔距	Mounting hole dia 安装孔径	Max thrust 最大推力	Mode of lead wire 出线方式
	VDC	mm/s	mm	mm	mm	N	
XDT24-50	24	12 ± 10%	50 ± 3	175 ± 3	φ 10	1000	两线 two wire
XDT24-50-A	24	12 ± 10%	50 ± 3	175 ± 3	φ 10	1500	
XDT24-180	24	12 ± 10%	180 ± 3	305 ± 3	φ 10	1500	
XDT24-300	24	12 ± 10%	300 ± 3	425 ± 3	φ 10	1000	

● 外形尺寸 EXTERNAL DIMENSION



Type 型号	L1 mm	L2 mm	L3 mm
XDT24-50	175 ± 3	50 ± 3	63
XDT24-50-A	175 ± 3	50 ± 3	63
XDT24-180	305 ± 3	180 ± 3	73
XDT24-300	425 ± 3	300 ± 3	63

XDT

电动推杆
Linear actuator

● 电机参数 SPECIFICATIONS

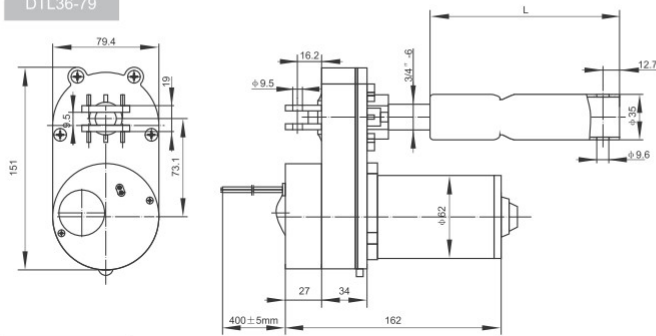
Type 型号	Voltage 额定电压 VDC	Rated current 额定电流 A	No load current 空载电流 A	Stroke 行程 mm	Load speed 负载推速 mm/s	No load speed 空载推速 mm/s	Load thrust 负载推力 N
DTL36-57	36	< 7.5	< 1.0	57±3	12.7±10%	16.5±10%	2700
DTL36-79	36	< 7.5	< 1.0	79±3	12.7±10%	16.5±10%	2700
DTL36-108A	36	< 7.5	< 1.0	108±3	12.7±10%	16.5±10%	2700
DTL36-108B	36	< 7.5	< 1.0	108±3	12.7±10%	16.5±10%	2700
DTL36-108C	36	< 7.5	< 1.0	108±3	12.7±10%	16.5±10%	2700
DTL36-203	36	< 7.5	< 1.0	203±3	12.7±10%	16.5±10%	2700



● 外形尺寸 EXTERNAL DIMENSION

DTL36-57

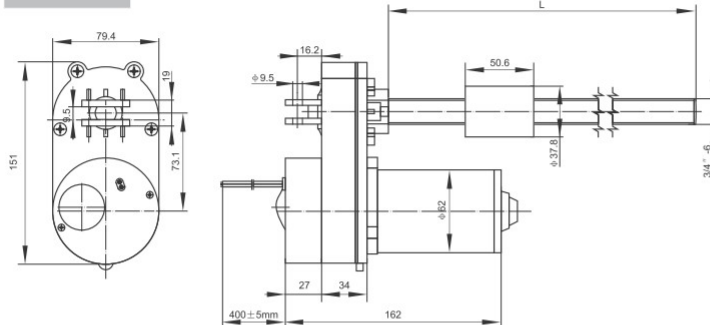
DTL36-79



Type 型号	L mm
DTL36-57	127
DTL36-79	159

DTL36-108A

DTL36-203



Type 型号	L mm
DTL36-108A	235
DTL36-203	305

DTL36-108C

DTL36-108B

