

# SPECIFICATION 规格书

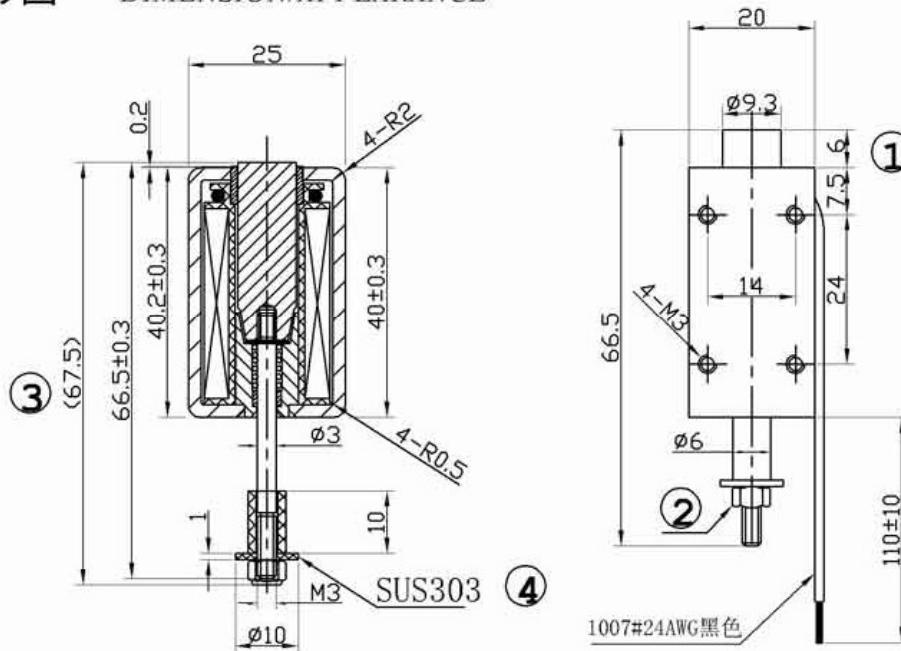
|                    |                              |              |     |
|--------------------|------------------------------|--------------|-----|
| 设计(Design)         |                              |              |     |
| 审核(Check)          |                              |              |     |
| 批准<br>(Confirm)    |                              |              |     |
| 部门<br>(Department) | 技术部<br>Technology Department |              |     |
| 版本<br>(Edition)    | A/0                          | 页次<br>(Page) | 3/3 |
| 客户确认签字             |                              |              |     |

客户(CUSTOMER):

型号(PART NO.): AU0941S-24B85

客户型号(CUSTOMER PART NO.): AU0940S-24B85

## 尺寸/外形图 DIMENSION/APPEARANCE



### 技术要求

Technology requirements

1. 未注尺寸公差取±0.2。  
ULTERIORLY TOLERSNCE ±0.2.
2. 滑杆动作灵活。  
SOLENOID MUST BE LEAD FREE.

### 备注:

1. 新增加尺寸
2. 更改标准M3螺母, 螺母不滴胶固定, 可调节行程, 调节行程标识1尺寸会相应更改
3. 尺寸更改为参考尺寸
4. 挡块材料更改为SUS303

## 额定参数 (RATED PARAMETER)

|                                    |                       |
|------------------------------------|-----------------------|
| 4-1 电压 (VOLTAGE):                  | DC24V                 |
| 4-2 电流 (CURRENT):                  | 0.28A (at DC24V 20°C) |
| 4-3 功率 (WATTAGE):                  | 6.78W                 |
| 4-5 直流电阻 (DC RESISTANCE):          | 85Ω ± 10% (20°C)      |
| 4-6 工作循环 (Duty cycle)/Max on time: | 60%                   |
| 4-9 绝缘等级 (Insulation Class):       | 130°                  |

# SPECIFICATION 规格书

设计 (Design)

审核 (Check)

批准  
(Confirm)

部门  
(Department)

技术部  
Technology Department

版本  
(Edition)

A/0

页次  
(Page)

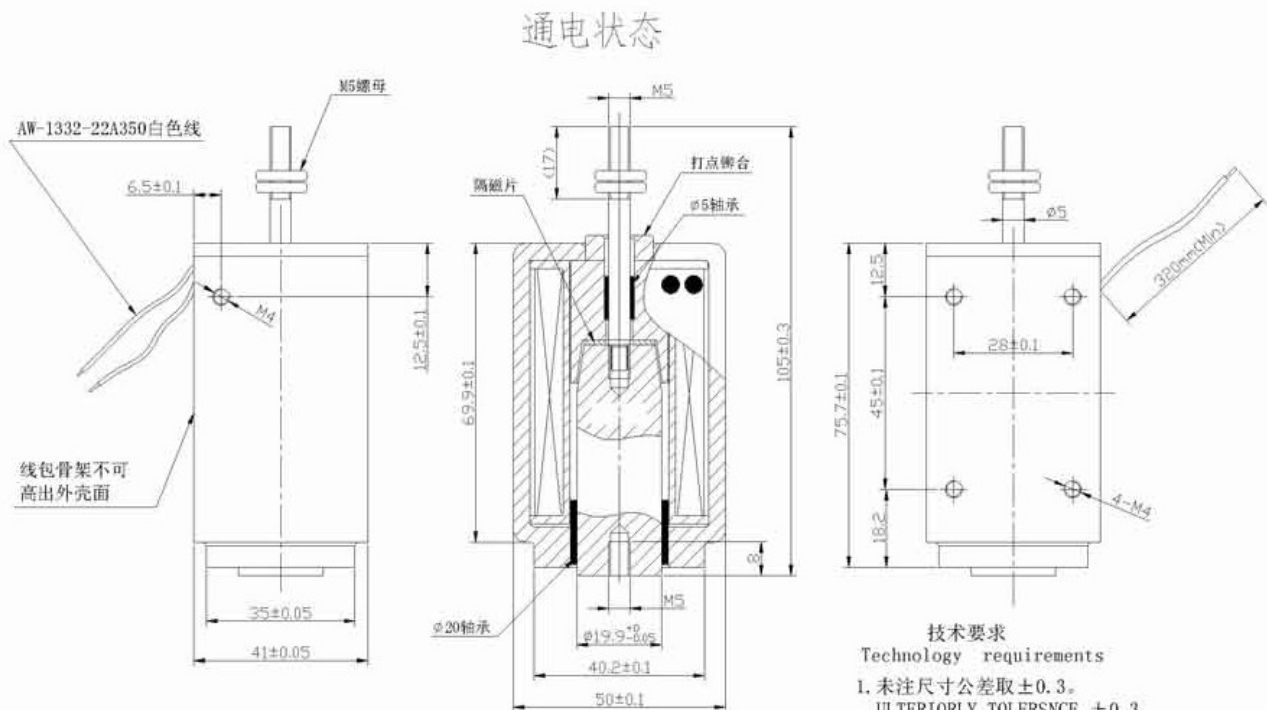
3/3

客户 (CUSTOMER):

型号 (PART NO.): AU2075S-220A480

客户型号 (CUSTOMER PART NO.):

尺寸/外形图 DIMENSION/APPEARANCE



#### 4. 额定参数 (RATED PARAMETER)

- |                                |   |
|--------------------------------|---|
| 4-1 电 压 (VOLTAGE):             | DC220                                       |
| 4-2 电 流 (CURRENT):             | 0.45A (at DC220 20℃)                        |
| 4-3 功 率 (WATTAGE):             | 100.8W                                      |
| 4-4 直流电阻 (DC RESISTANCE):      | 480Ω±10% 周围温度20℃ (Ambiance temperature 20℃) |
| 4-5 工作循环 (DUTY CYCLE):         | 50% 通电 (Electrify 50%)                      |
| 4-6 绝缘等级 (INSULATION CLASS):   | B类 (B CLASS)                                |
| 4-7 其他要求 (OTHER REQUIREMENTS): |   |